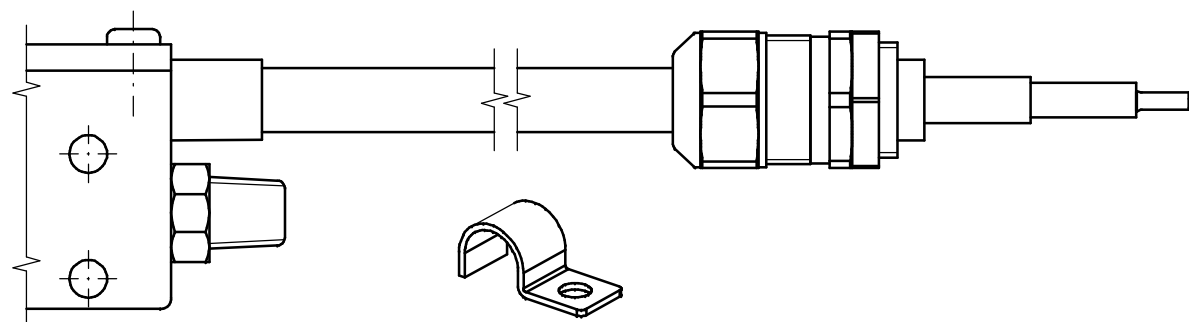


Cable exit option

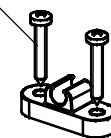
Shielded coaxial cable



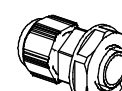
Metal cable clamps included with shielded cable

Mounting materials included

ST3,5x19



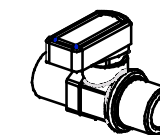
Gland



PG-9

(only with standard HV-cable)

Option Valve



Female - female
1/8 BSP
Part no.: 9146982101